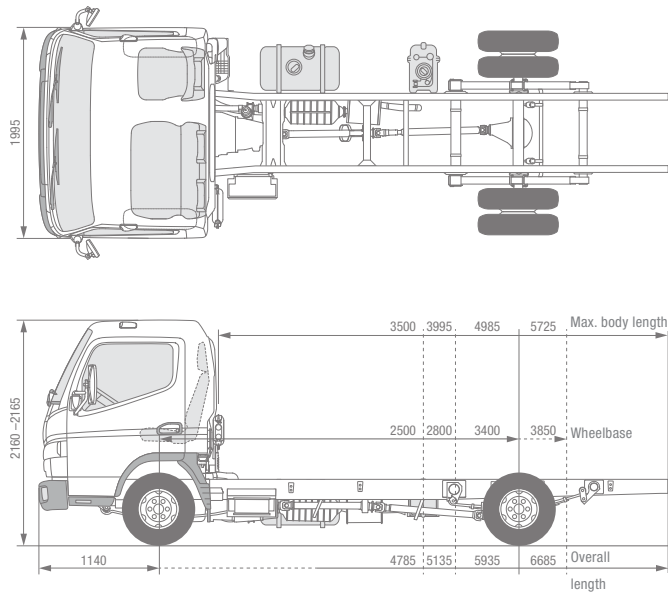




# CANTER 3C13 RHD

## Dimensions

Model	Vehicle model				3C13				
	Cab type / crew				Comfort, single cab / 3				
	Model variant		46826221		46826321		46826521		46826721
	FUSO model code		FEB01BR4SEU2		FEB01CR4SEU2		FEB01ER4SEU2		FEB01GR4SEU2



DIMENSIONS mm									
Wheelbase			2500		2800		3400		3850
Overall length			4785		5135		5935		6685
Cab length							1625		
Width overall							1995		
Cab width							1995		
Height overall			2165		2165		2160		2160
Track width	Front / rear						1665 / 1500		
Frame height (at end of frame)			750				770		
Ground clearance							165		
Cab to rear axle			1975		2275		2875		3325
Cab to end of frame			3120		3470		4270		5020
Max. body length**			3500		3995		4985		5725
Frame width							750		
Front overhang							1140		
Rear overhang			1145		1195		1395		1695
Front axle to front of body							625		
Recommended distance cab to body							100		

WEIGHTS kg									
Empty weight*			1995		2010		2035		2045
	Front* / rear*		1450	545	1485	525	1505	530	1520
Minimum vehicle weight			2200		2250		2285		2305
Gross vehicle weight / gross combination weight							3500 / 7000		
Axle loads	Front / rear						1900 / 2500		
	Towed weight		Braked / unbraked				3500 / 750		
Chassis load bearing capacity			1505		1490		1465		1455

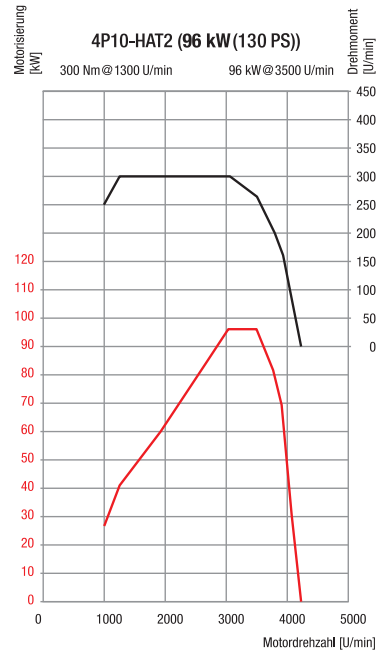
CALCULATED OUTPUT									
Max. speed	km/h						132		
Max. climbing ability	(tan q)%						60		
Min. turning circle (m)	Kerb to kerb		8.6		9.4		11.2		12.4
	Wall to wall		10.0		11.0		12.6		14.0

\* including coolant, oil, 90% fuel, tyre sealant, tools and driver weighing 75 kg; \*\* calculated maximum value. Should be checked depending on the body installed and the particular application  
Subject to change without notice. The information in this data sheet should be considered approximate. The illustrations may show accessories and special equipment not part of the standard specification. This data sheet may also contain models and support services not available in certain countries.



# CANTER 3C13

## RHD



### Engine/Drivetrain/Chassis

#### ENGINE (Euro VI)

Type	Water-cooled four-stroke diesel engine with turbocharger, intercooler and direct injection		
No. of cylinders	4/in-line		
Capacity	2998 cc		
Peak output	96 kW (130 hp) / 3500 rpm		
Rated torque	300 Nm / 1300 rpm		
Diesel particulate filter	Service life approx. 300,000 km		
Alternator	Alternating current 12V, 140A		
Exhaust gas aftertreatment	DPF + SCR		
Fuel consumption	Urban • Inter-urban • Combined	Euro VI: 9.8 l/100 km • 8.5 l/100 km • 9.0 l/100 km	
Emissions	Urban • Inter-urban • Combined	Euro VI: 257 g/km CO <sub>2</sub> • 223 g/km CO <sub>2</sub> • 235 g/km CO <sub>2</sub>	
PTO (optional)	Type	31 kW with flange	31 kW for directly connected pumps
	Torque at peak output [Nm]:	196 Nm	
	Gear ratios	1:0.644	1:0.638
	Engine speed at peak output	1500 rpm	

#### POWERTRAIN

Transmission	Model	Manual gearbox, 5 forward gears, 1 reverse gear	
	Gear ratio	5.494 - 3.193 - 1.689 - 1.000 - 0.723 Rev. 5.494	
Final reduction gear	Ratio	4.111	

#### CHASSIS

Front axle / rear axle	Model	F100T / R015T	
	Load-bearing capacity	1900 kg / 2500 kg	
Tyres		195/75R16C 107/105 R	
		Single tyres at front, twin tyres at rear	
Wheel		16 x 5 JK - 110	
Steering		RHD	
		Recirculating-ball steering with power assist, tilting telescopic steering column with steering-wheel lock	
Brake	Service brake	Hydraulic with vacuum power assist, dual-circuit with load-dependent brake proportioning valve at rear wheels	
	Front / rear	Disc brakes (217 x 24)	
	Parking brake	Mechanical expanding brake on drive shaft at rear of transmission	
	Auxiliary brake	Exhaust brake (50 kW)	
Suspension	Front / rear	Independent wheel suspension (coil spring) with shock absorber / semi-elliptic leaf spring with shock absorber and stabiliser	
Frame	Type	Ladder-type frame with reinforcements and crossmembers	
Fuel tank capacity		70 litres	
Electrical system – batteries		12 Volt (100 AH - 760 A(EN))	